



BYFINE VALVE

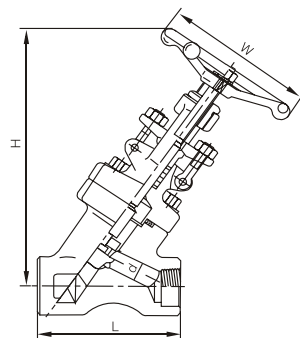
Your Satisfaction Is Our Honor

Y-Type Forged Steel Globe Valve

Class800 Main Outline Dimensions & Weight

Bolt fastening valve cover, outside screw stem & yoke (OS&Y).
Designs according to BS5,352.

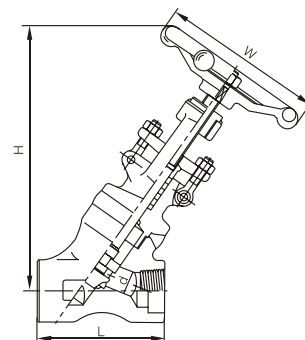
R.P	-	1/2	3/4	1	1 1/4	1 1/2	2	2 1/2
F.P	1/4	3/8	1/2	3/4	1	1 1/4	1 1/2	2
L	98	98	98	111	140	140	155	170
W	100	100	100	125	160	160	180	200
H	180	180	180	188	280	280	295	350
d	7	9	13	17.5	23	30	35	46
Weight(kg)	2.6	2.6	3.8	4.6	9.3	9.3	14	19.6



Class800 Main Outline Dimensions & Weight

Weld joint valve cover, outside screw stem & yoke (OS&Y).
Designs according to BS5,352.

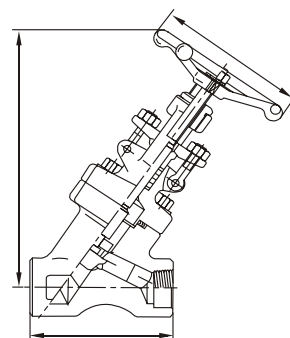
R.P	-	1/2	3/4	1	1 1/4	1 1/2	2	2 1/2
F.P	1/4	3/8	1/2	3/4	1	1 1/4	1 1/2	2
L	79	79	92	100	140	140	155	170
W	100	100	100	125	160	160	180	200
H	198	198	198	207	280	280	295	350
d	7	9	13	17.5	23	30	35	46
Weight(kg)	1.8	1.8	2.0	3.5	8.0	8.0	12	16



Class900 ~ 1500 Main Outline Dimensions & Weight

Bolt fastening valve cover, outside screw stem & yoke (OS&Y).
Designs according to BS5,352.

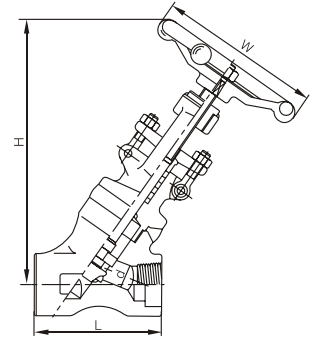
F.P	3/8	1/2	3/4	1	1 1/4	1 1/2	2
L	98	111	111	140	140	155	170
W	100	125	125	160	160	180	200
H	175	175	215	216	254	305	350
d	9	12	15	20	28	32	40
Weight(kg)	2.6	4.6	4.6	9.3	9.3	14	19.6



Class900 ~ 1500 Main Outline Dimensions & Weight

Weld joint valve cover, outside screw stem & yoke (OS&Y).
Designs according to BS5,352.

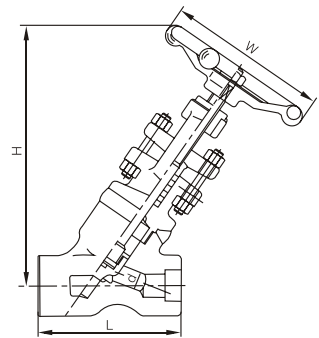
F.P	3/8	1/2	3/4	1	1 1/4	1 1/2	2
L	92	100	100	140	140	155	170
W	100	125	125	160	160	180	200
H	175	207	207	280	280	295	350
d	9	12	15	20	28	32	40
Weight(kg)	1.8	3.5	3.5	8.0	8.0	12	16



Class2500 Main Outline Dimensions & Weight

Weld joint valve cover, outside screw stem & yoke (OS&Y).
Designs according to BS16.34

F.P	3/8	1/2	3/4	1	1 1/4	1 1/2	2
L	186	186	186	186	232	232	310
W	200	200	200	200	280	280	300
H	329	329	329	329	350	350	383
d	9	11	14	19	25	28	35
Weight(kg)	12.3	12.3	11.6	10.8	28.0	26.4	43.8



Class2500 Main Outline Dimensions & Weight

Pressure seal bonnet, outside screw stem & yoke (OS&Y).
Designs according to BS16.34

F.P	3/8	1/2	3/4	1	1 1/4	1 1/2	2
L	186	186	186	186	232	232	310
W	200	200	200	200	280	280	300
H	333	333	333	333	406	406	383
d	9	11	14	19	25	28	35
Weight(kg)	12.3	12.3	11.6	10.8	28.0	26.4	43.8

