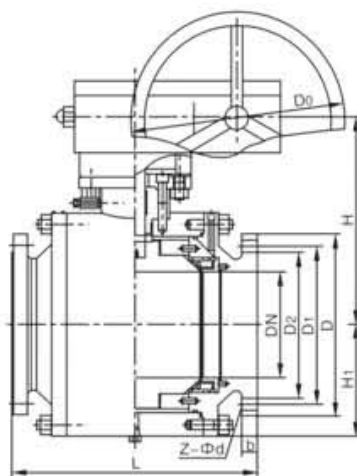
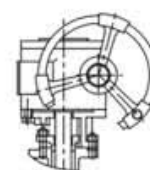


## API ball valve



Fire durable



Worm gear operation

### Production enforce standard

Product specification	Design spec	Face to face	Flange end	Test & check	Marking	Supply
	API 608 API 6D	ANSI B16.10 API 6D	ANSI B16.5	ANSI B16.5	API 598 API 6D	MSS SP-25 API 6D

### Chief property and specification

Nominal pressure	150Lb	300Lb	400Lb	600Lb
Shell test pressure	3.1	7.5	10.2	15.0
Seal test	2.2	5.5	7.48	11.0
Seal test	0.5-0.7			
Applicable medium	C Water, oil, steam		P Nitric acid	R Acetic acid
Applicable temperature	≤200℃			

### Material for main parts

Parts name	WCB	CF8	CF3	CF8M	CF3M	
Body & body cap	A216-WCB	A315-CF8	A35-CF3	A351-CF8M	A351-CF3M	
Ball	B2-B8	A105-1025	A182-F304L	A182-F304L	A132-F316	A182-F316L
	B8以上	A216-WCB	A351-CF8M	A351-CF3	A351-CF8M	A351-CF3M
Steam	A182-F6a	A182-F304	A182-F304L	A182-F336	A182-F316L	
Seat	PTFE/Reinforced PTFE/Nylon					
Seat retainer	A105-1025	A182-F304	A182-F304L	A182-F316	A182-F316L	
Spring	3yc-7/17-49H					
O-ring	NBR	Viton				
Stud	A193-B7	A193-B8				
Nut	A194-2H	A194-8				

A1-6B(3)41, (3)47, (3)61, (3)67F

**Main external and connection dimension**

CLASS 150 A1B(3)41, (3)47, (3)61, (3)67F(N.PPL).(P.R.V)

Unit: mm

DN	Main external and connection dimension												WT(Kg)	Remark
	d	L-RF	L-BW	D	D <sub>1</sub>	D <sub>2</sub>	b	f	N-Φ	H <sub>1</sub>	H <sub>2</sub>	D <sub>0</sub>		
1/2"	13	108	-	89	60.5	35	11.2	1.6	4-16	-	59	130	2.3	Float ball
3/4"	19	117	-	98	70	43	11.2	1.6	4-16	-	63	130	3.0	
1"	25	127	-	108	79.5	51	11.2	1.6	4-16	-	75	160	4.5	
1 1/2"	38	165	190	127	98.5	73	14.3	1.6	4-16	-	95	230	7.0	
2"	51	178	216	152	120.5	92	15.9	1.6	4-19	-	107	230	9.5	Fixing ball
2 1/2"	61	190	241	178	139.5	105	17.5	1.6	4-19	-	142	400	15.0	
3"	76	203	283	190	152.5	127	19.1	1.6	4-19	-	152	400	19.0	
4"	102	229	305	229	190.5	157	23.9	1.6	8-19	-	178	700	33.0	Float ball
5"	127	356	-	254	216	186	23.9	1.6	8-22	-	252	1100	58.0	Float ball
6"	52	394	457	279	241.5	216	54.5	1.6	8-22	-	272	1100	93.0	
8"	203	457	521	343	298.5	270	58.6	1.6	8-22	-	342	1500	160.0	Fixing ball
8"	203	457	521	343	298.5	270	28.6	1.6	8-22	-	398	600	180.0	
10"	254	533	559	406	362	324	30.2	1.6	12-25	335	495	600	240.0	Fixing ball
12"	305	610	635	482.6	431.8	381	31.8	1.6	12-25	385	580	800	390.0	
14"	337	686	762	535	476	412.8	35	1.6	12-29	430	625	800	510.0	
16"	387	162	838	597	539.5	469.9	36.6	1.6	16-29	470	720	800	750.0	
20"	489	914	991	698	635	58.2	42.9	1.6	20-32	590	840	800	1190	
24"	591	1067	1143	813	749.5	692.2	47.8	1.6	20-35	700	1050	800	2100	
26"	686	1245	1346	927.1	836.6	800.1	71.4	1.6	28-35	780	1150	800	3000	

CLASS 300 A3B(3)41, (3)47, (3)67F(N.PPL).(P.R.V)

Unit: mm

DN	Main external and connection dimension												WT(Kg)	Remark
	d	L-RF	L-BW	D	D <sub>1</sub>	D <sub>2</sub>	b	f	N-Φ	H <sub>1</sub>	H <sub>2</sub>	D <sub>0</sub>		
1/2"	13	140	-	95	66.5	35	14.2	1.6	4-16	-	59	130	2.5	Float ball
3/4"	19	152	-	117	82.5	43	15.9	1.6	4-19	-	63	130	3.5	
1"	25	165	-	124	89	51	17.5	1.6	4-19	-	75	160	5.5	
1 1/2"	38	190	190	156	114.5	73	20.7	1.6	4-22	-	95	230	10.5	
2"	51	216	216	165	127	92	22.3	1.6	8-19	-	107	230	14.5	Fixing ball
2 1/2"	61	241	241	190	149	105	25.4	1.6	8-22	-	142	400	23.5	
3"	76	283	283	210	168	127	28.6	1.6	8-22	-	152	400	30.0	
4"	102	305	305	254	200	157	31.8	1.6	8-22	-	178	700	55.0	Float ball
5"	127	381	-	279	235	186	35	1.6	8-22	-	252	1100	81.0	Float ball
6"	52	403	457	318	270	216	36.5	1.6	12-22	-	272	1100	118.0	
8"	203	502	521	381	330	270	41.3	1.6	12-25	-	342	1500	200.00	Fixing ball
8"	203	502	521	381	330	270	41.3	1.6	12-25	-	398	600	220.2	
10"	254	568	559	444	387.5	324	17.7	1.6	16-29	335	495	600	365	Fixing ball
12"	305	648	635	520.8	451	381	50.8	1.6	16-32	385	580	800	530	
14"	337	762	762	584.2	514.5	412.8	53.8	1.6	20-32	430	625	800	740	
16"	387	838	838	647.8	571.5	469.9	57.2	1.6	20-35	470	720	800	1030	
20"	489	991	991	774.8	685.8	58.2	63.5	1.6	24-35	590	840	800	1540	
24"	591	1143	1143	914.4	812.8	692.2	69.8	1.6	24-41	700	1050	800	2600	
28"	686	1346	1346	1035	939.8	800.1	85.9	1.6	28-44.5	780	1150	800	3900	



# BAOFENG VALVE

Your Satisfaction Is Our Honor



## API ball valve

A1-6B(3)41, (3)47, (3)61, (3)67F

### Main external and connection dimension

CLASS 400 A4B(3)41, (3)47, (3)67F(N.PPL).(P.R.V)

Unit: mm

DN	Main external and connection dimension												WT(Kg)	Remark
	d	L-RF	L-BW	D	D <sub>1</sub>	D <sub>2</sub>	b	f	N-Φ	H <sub>1</sub>	H <sub>2</sub>	D <sub>0</sub>		
1/2"	13	165	165	95	66.5	35	14.3	6.4	4-16	-	59	130	6.5	Float ball
3/4"	19	190	190	117	82.5	43	15.9	6.4	4-19	-	63	160	9	
1"	25	216	216	124	89	51	17.5	6.4	4-19	-	75	160	13	
1 1/2"	38	241	241	156	114.5	73	22.3	6.4	4-22	-	95	230	16.5	
2"	51	292	292	165	127	92	25.4	6.4	8-19	-	107	700	25	Fixing ball Float ball
4"	102	406	406	254	200	157.2	35	6.4	8-25	-	178	700	66	
6"	152	495	495	317.5	270	216	41	6.4	12-25	250	300	600	145	Fixing ball
8"	203	597	597	381	330	269.8	47.8	6.4	12-28.5	294	374	800	250	
10"	254	673	673	445	387.5	324	53.8	6.4	16-32	370	445	800	540	
12"	305	762	762	521	451	381	57	6.4	16-35	420	515	800	780	
14"	337	826	826	584	514.5	413	60.5	6.4	20-35	460	550	800	1000	
16"	387	902	902	648	571.5	470	63.5	6.4	20-38	505	615	800	1300	
20"	489	1054	1054	775	686	584.2	69.8	6.4	24-41	630	810	800	2100	
24"	591	1232	1232	915	812.8	692.2	76	6.4	24-48	685	845	800	3400	
26"	686	1397	1397	1035	939.8	800	95.3	6.4	28-51	860	1087	800	5000	

CLASS 600 A6B(3)41, (3)47, (3)67F(N.PPL).(P.R.V)

Unit: mm

DN	Main external and connection dimension												WT(Kg)	Remark
	d	L-RF	L-BW	D	D <sub>1</sub>	D <sub>2</sub>	b	f	N-Φ	H <sub>1</sub>	H <sub>2</sub>	D <sub>0</sub>		
1/2"	13	165	165	95	56.5	35	14.3	6.4	4-16	-	59	160	7.5	Float ball
3/4"	19	190	190	117	82.5	43	15.9	6.4	4-19	-	63	160	10.5	
1"	25	216	216	124	89	51	17.5	6.4	4-19	-	75	230	14.5	
1 1/2"	38	241	241	156	114.5	73	22.3	6.4	4-22	-	95	400	18.5	
2"	51	292	292	165	127	92	25.4	6.4	8-19	-	107	700	25	Fixing ball Float ball
4"	102	432	432	273	216	157.2	38	6.4	8-25	-	178	1100	76	
6"	152	559	559	355.6	282.1	216	47.2	6.4	12-29	250	300	600	127	Fixing ball
8"	203	660	660	419.5	349.2	269.8	55.7	6.4	12-32	294	374	800	350	
10"	254	787	787	508	431.8	324	63.5	6.4	16-35	370	445	800	660	
12"	305	838	838	559	489	381	66.5	6.4	20-35	420	515	800	820	
14"	337	889	889	603.2	527	413	69.8	6.4	20-38	460	550	800	1130	
16"	387	991	991	686	603.2	470	76.2	6.4	20-41	505	615	800	1550	
20"	489	1194	1194	818	724	584.2	89	6.4	24-44.5	630	810	800	2800	
24"	591	1394	1394	940	838.2	692.2	101.6	6.4	24-51	825	1010	800	5300	
26"	686	1549	1549	1073	965.2	800	111.3	6.4	28-55	970	1180	800	6500	