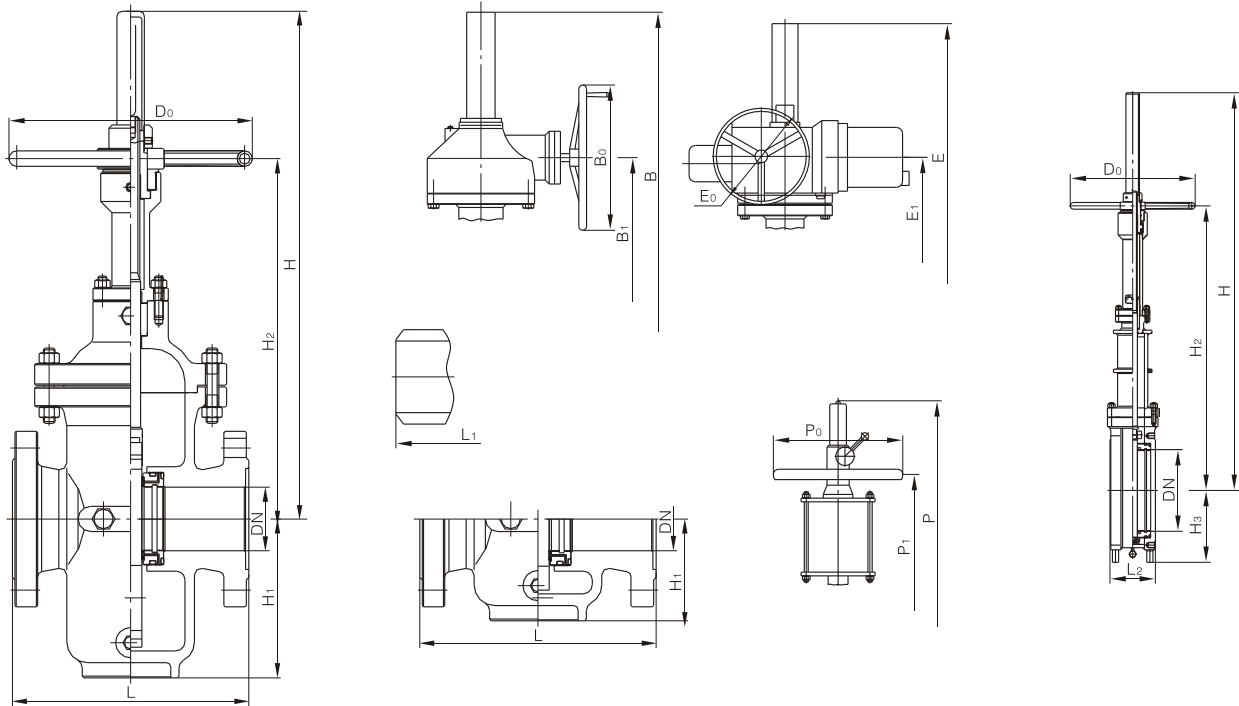


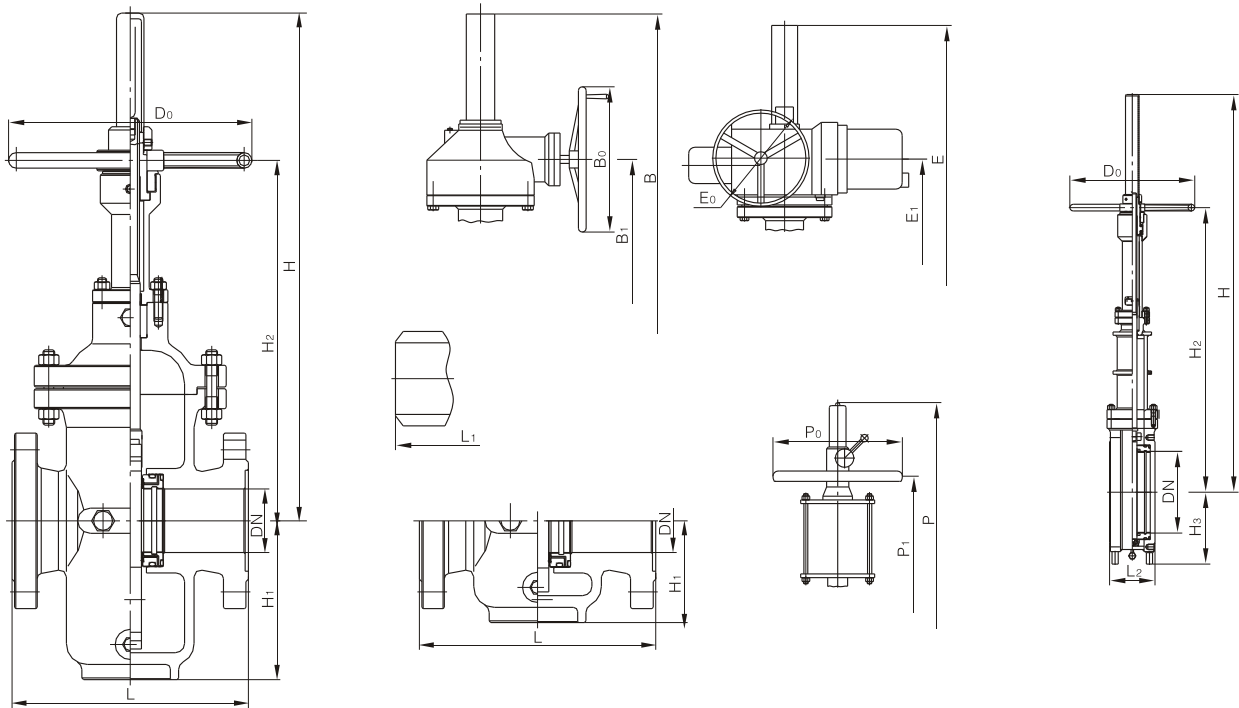
Class150 Main Size of Outside

NPS (in)	Flange	Butt welding	Light- duty	Hand-operated			Geared driving			Geared driving	Air-operated and Fluid driving			Electric driving device			Electric driving device	Non-diversion hole type	Diversion hole type
	L	L1	L2	H	H2	D0	B	B1	B0		P	P1	P0	E	E1	E0		H3	H1
1	127	127	-	360	250	180	-	-	-	-	-	-	-	-	-	-	60	85	
1 1/4	140	140	-	375	260	180	-	-	-	-	-	-	-	-	-	-	71	103	
1 1/2	165	165	-	410	290	250	-	-	-	-	-	-	-	-	-	-	75	115	
2	178	216	-	450	315	250	-	-	-	-	525	430	250	-	-	-	85	122	
2 1/2	190	241	-	550	420	300	-	-	-	-	648	560	300	-	-	-	91	154	
3	203	283	-	610	428	300	-	-	-	-	730	630	300	-	-	-	109	169	
4	229	305	150	700	494	300	770	650	310	BA-0	850	720	300	912	790	200	SMC-04	121	193
6	267	403	150	895	625	350	965	800	310	BA-0	1120	920	350	1107	920	500	SMC-03	178	283
8	292	419	180	1130	784	350	1200	960	310	BA-0	1430	1160	350	1390	1120	500	SMC-03	211	352
10	330	457	180	1290	937	400	1360	1080	310	BA-0	1665	1380	400	1550	1250	500	SMC-03	215	440
12	356	502	200	1480	1080	450	1560	1200	310	BA-0	1930	1550	450	1740	1400	305	SMC-00	245	514
14	381	572	200	1660	1283	500	1740	1350	460	BA-1	2185	1750	450	1913	1550	305	SMC-00	280	602
16	406	610	218	1850	1417	500	1930	1500	460	BA-1	2450	2000	500	2103	1620	305	SMC-00	310	678
18	432	660	218	2080	1489	600	2160	1680	460	BA-1	2755	2250	500	2365	1830	305	SMC-0	346	785
20	457	711	229	2300	1672	700	2420	1850	460	BA-1	3050	2450	600	2585	1980	305	SMC-0	363	855
24	508	813	248	2680	2012	800	2800	2120	460	BA-2	3580	2900	800	2990	2300	305	SMC-1	442	1045
28	610	914	286	3080	2250	800	3200	2450	460	BA-2	4130	3350	800	3390	2600	305	SMC-1	505	1190
32	660	965	286	3491	2550	1000	3640	2800	460	BA-2	-	-	-	3850	2980	305	SMC-1	560	1350
36	711	1016	-	3897	2850	1000	4050	3080	600	BA-3	-	-	-	4260	3200	458	SMC-2	610	1510
40	811	-	-	4317	3250	1200	4467	3400	600	BA-3	-	-	-	4677	3600	458	SMC-2	715	1715



Class400 Main Size of Outside

NPS (in)	Flange	Butt welding	Hand-operated			Geared driving			Geared driving	Air-operated and Fluid driving			Electric driving device			Electric driving device	Non-division hole type	Division hole type
	L	L ₁	H	H ₂	D ₀	B	B ₁	B ₀		P	P ₁	P ₀	E	E ₁	E ₀		H ₃	H ₁
2	292	292	458	325	300	505	430	310	BA-0	533	435	200	647	560	200	SMC-04	108	158
2 1/2	330	330	555	420	300	560	470	310	BA-0	653	565	200	702	610	200	SMC-04	125	190
3	356	356	615	430	350	610	510	310	BA-0	735	635	250	752	650	500	SMC-03	145	225
4	406	406	710	500	350	770	650	310	BA-0	860	730	250	912	790	500	SMC-03	165	255
6	495	495	900	625	400	965	800	310	BA-0	1125	925	350	1138	950	305	SMC-00	220	330
8	597	597	1135	790	500	1200	960	310	BA-0	1435	1165	350	1373	1100	305	SMC-00	280	410
10	673	673	1401	1040	500	1370	1090	460	BA-1	1776	1450	400	1575	1280	305	SMC-0	330	490
12	762	762	1580	1150	600	1560	1200	460	BA-1	2030	1620	450	1725	1390	305	SMC-0	380	570
14	826	826	-	-	-	1740	1350	460	BA-1	2305	1900	500	1930	1570	305	SMC-1	430	650
16	902	902	-	-	-	1970	1540	460	BA-2	2558	2100	600	2210	1700	305	SMC-1	480	735
18	978	978	-	-	-	2260	1700	460	BA-2	2835	2320	700	2500	1940	305	SMC-1	530	810
20	1054	1054	-	-	-	2420	1850	460	BA-2	3120	2510	800	2630	2020	458	SMC-2	580	905
24	1232	1232	-	-	-	2800	2120	600	BA-3	-	-	-	3050	2350	458	SMC-2	670	1070
28	1397	1397	-	-	-	3230	2460	600	BA-3	-	-	-	3480	2680	458	SMC-2	770	1230



Class600 Main Size of Outside

NPS (in)	Flange	Butt welding	Hand-operated			Geared driving			Geared driving	Air-operated and Fluid driving			Electric driving device			Electric driving device	Non-division hole type	Division hole type
	L	L ₁	H	H ₂	D ₀	B	B ₁	B ₀		P	P ₁	P ₀	E	E ₁	E ₀		H ₃	H ₁
2	292	292	468	335	300	505	430	310	BA-0	543	445	200	647	560	200	SMC-04	108	158
2 1/2	330	330	565	430	300	560	470	310	BA-0	663	570	200	702	610	200	SMC-04	125	190
3	356	356	625	440	350	610	510	310	BA-0	745	640	250	752	650	500	SMC-03	145	225
4	432	432	720	510	350	770	650	310	BA-0	870	740	250	950	820	500	SMC-03	165	255
6	559	559	910	630	400	965	800	310	BA-0	1135	930	350	1138	950	305	SMC-0	220	330
8	660	660	1145	800	500	1200	960	310	BA-1	1445	1170	350	1403	1130	305	SMC-0	280	410
10	787	787	1411	1050	500	1370	1090	460	BA-1	1786	1460	400	1575	1280	305	SMC-0	330	490
12	838	838	1590	1160	600	1560	1200	460	BA-1	2040	1630	450	1750	1410	305	SMC-1	380	570
14	889	889	-	-	-	1740	1350	460	BA-2	-	-	-	1930	1570	305	SMC-1	430	650
16	991	991	-	-	-	1970	1540	460	BA-2	-	-	-	2210	1700	305	SMC-1	480	735
18	1092	1092	-	-	-	2260	1700	460	BA-2	-	-	-	2500	1940	458	SMC-2	530	810
20	1194	1194	-	-	-	2420	1850	460	BA-2	-	-	-	2630	2020	458	SMC-2	580	905